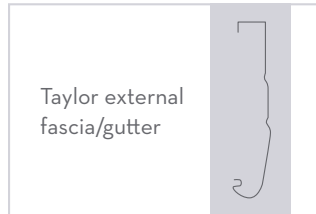


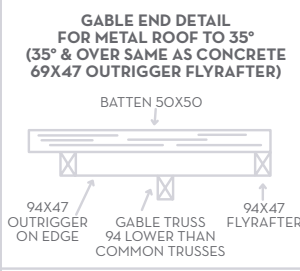
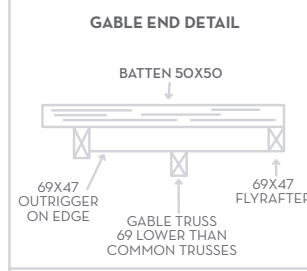
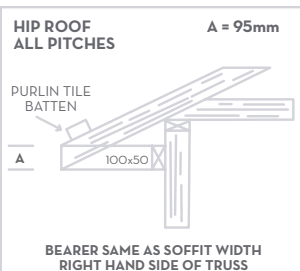
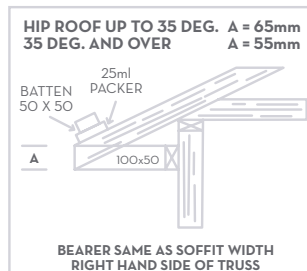
Taylor External Fascia Systems are designed for new homes. We manufacture, supply and install two sizes of fascia that can be matched with any of our spouting profiles. The systems are a modern, cost effective, pre-finished option for the home. We also offer Taylor, Klass and Triline Internal Fascia Gutter Systems for renovations, extensions and re-spouts.

TAYLOR 135mm FASCIA EXTERNAL SYSTEMS



CONCRETE TILE ROOF

METAL TILE / LONG RUN ROOF



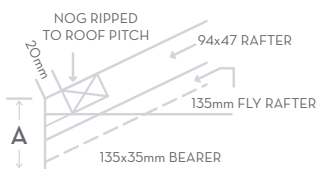
A = HEIGHT FOR GABLE ROOF

15.0 deg	70 mm
17.5 deg	72 mm
20.0 deg	74 mm
22.5 deg	76 mm
25.0 deg	78 mm
27.5 deg	80 mm
30.0 deg	82 mm
35.0 deg	85 mm
40.0 deg	90 mm
45.0 deg	100 mm

A = HEIGHT FOR GABLE ROOF

15.0 deg	95 mm
20.0 deg	100 mm
25.0 deg	105 mm
30.0 deg	110 mm
32.5 deg	114 mm
35.0 deg	86 mm
40.0 deg	93 mm
45.0 deg	100 mm

VYTEX IKO SHINGLE

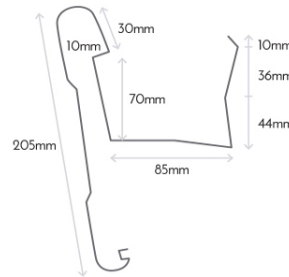
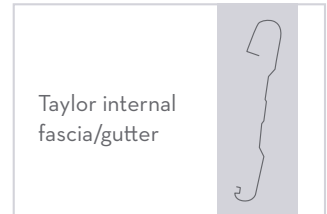


HEIGHT FROM TOP OF PLUMB CUT TO BOTTOM OF BEARER

15.0 deg	141 mm
20.0 deg	144 mm
25.0 deg	148 mm
30.0 deg	155 mm
35.0 deg	165 mm
40.0 deg	177 mm
45.0 deg	193 mm

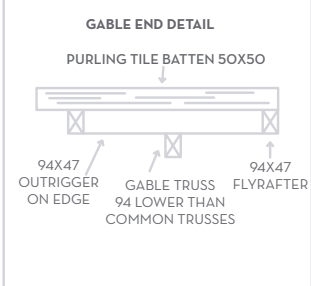
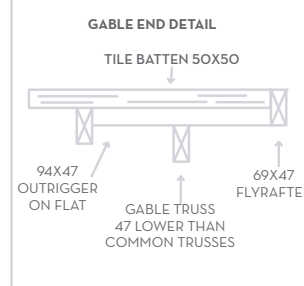
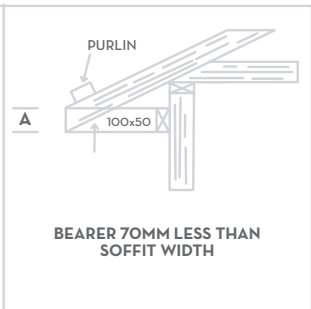
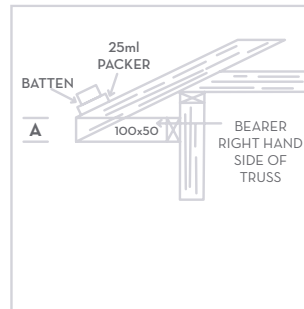
SOFFIT BEARER TO BE 135x35mm TO ALLOW ADEQUATE NAILING TO RAFTER FIXED TO RIGHT HAND SIDE OF RAFTER. FLY RAFTER TO BE 135mm WIDE.

TAYLOR FASCIA INTERNAL SYSTEMS



CONCRETE TILE ROOF

METAL TILE / LONG RUN ROOF



A = HEIGHT FOR HIP & GABLE ROOF

15.0 deg	68 mm
17.5 deg	73 mm
20.0 deg	75 mm
22.5 deg	81 mm
25.0 deg	85 mm
27.5 deg	90 mm
30.0 deg	96 mm
35.0 deg	105 mm
40.0 deg	88 mm
45.0 deg	80 mm

A = HEIGHT FOR HIP & GABLE ROOF

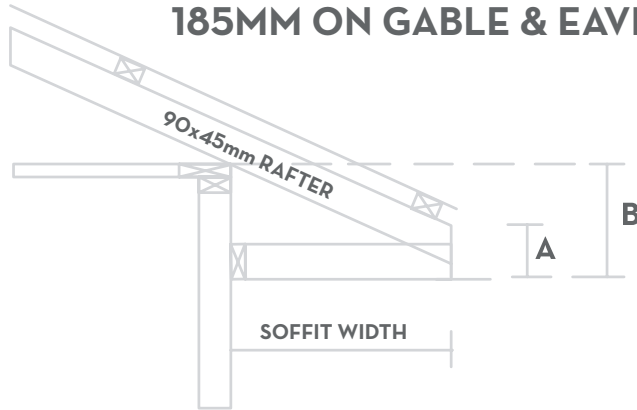
12.5 deg	113 mm
15.0 deg	118 mm
17.5 deg	122 mm
20.0 deg	126 mm
22.5 deg	132 mm
25.0 deg	138 mm
27.5 deg	143 mm
30.0 deg	125 mm
35.0 deg	120 mm
40.0 deg	115 mm
45.0 deg	112 mm

30 DEG AND OVER WILL HAVE KICKOUTS

SCAFFOLD NEEDED AROUND HOUSE 1.8 BELOW SOFFIT

- CELEBRATING OVER 40 YEARS IN THE BUSINESS -

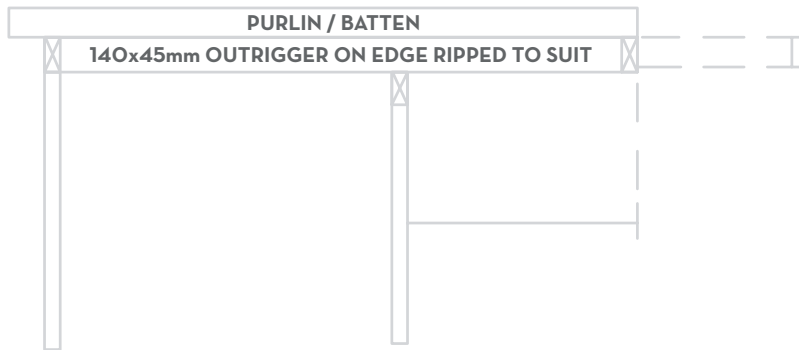
185MM ON GABLE & EAVE TO SUIT METAL ROOF



EAVES DETAIL

NOTES

- 50x50 BATTEN REQUIRED FOR METAL TILE
- 70x45 PURLIN FOR LONGRUN
- SOFFIT BEARER MINIMUM 135 X 35mm



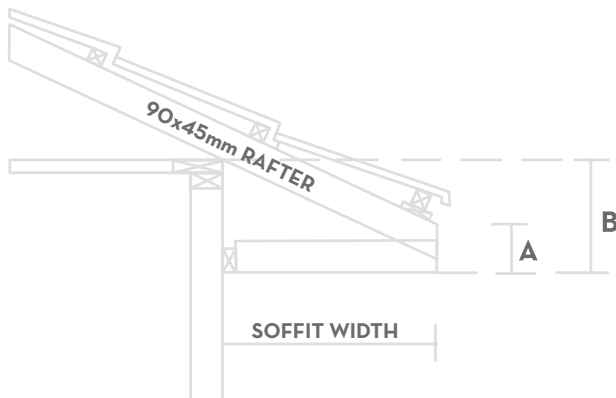
GABLE END DETAIL

NOTES

- GABLE FLASHING REQUIRED

PITCH	TOE CUT	TOP CHORD DROP	SOFFIT DROP		
			4500/H	6000/H	7500/H
10	127mm	125mm	115mm	141mm	168mm
12.5	128mm	125mm	135mm	169mm	202mm
15	129mm	125mm	156mm	197mm	237mm
17.5	131mm	125mm	179mm	226mm	273mm
20	133mm	125mm	201mm	256mm	310mm
22.5	135mm	125mm	224mm	286mm	348mm
25	138mm	125mm	249mm	318mm	388mm
27.5	141mm	125mm	274mm	352mm	430mm
30	144mm	125mm	300mm	386mm	473mm
32.5	133mm	115mm	313mm	409mm	504mm
35	140mm	115mm	345mm	450mm	555mm
37.5	139mm	110mm	371mm	486mm	601mm
40	144mm	110mm	404mm	530mm	656mm
42.5	149mm	110mm	439mm	577mm	714mm
45	156mm	110mm	479mm	629mm	778mm

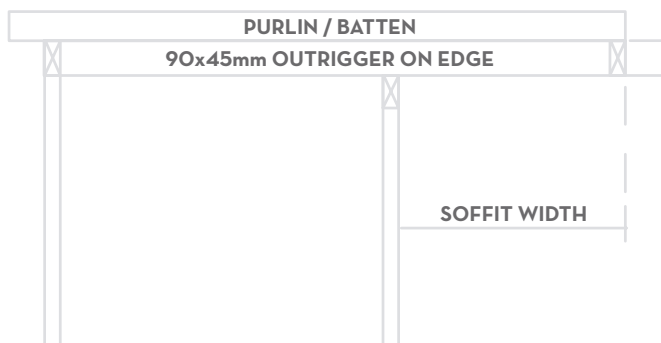
185MM ON GABLE & EAVE TO SUIT CONCRETE TILE ROOF



EAVES DETAIL

NOTES

- A 25MM PACKER IS REQUIRED FOR THE BOTTOM CONCRETE TILE BATTEN
- DIMENSION 'A' IS THE HEIGHT FROM THE TOP OF THE RAFTER TO THE BOTTOM OF THE SOFFIT BEARER
- 50X50 BATTEN



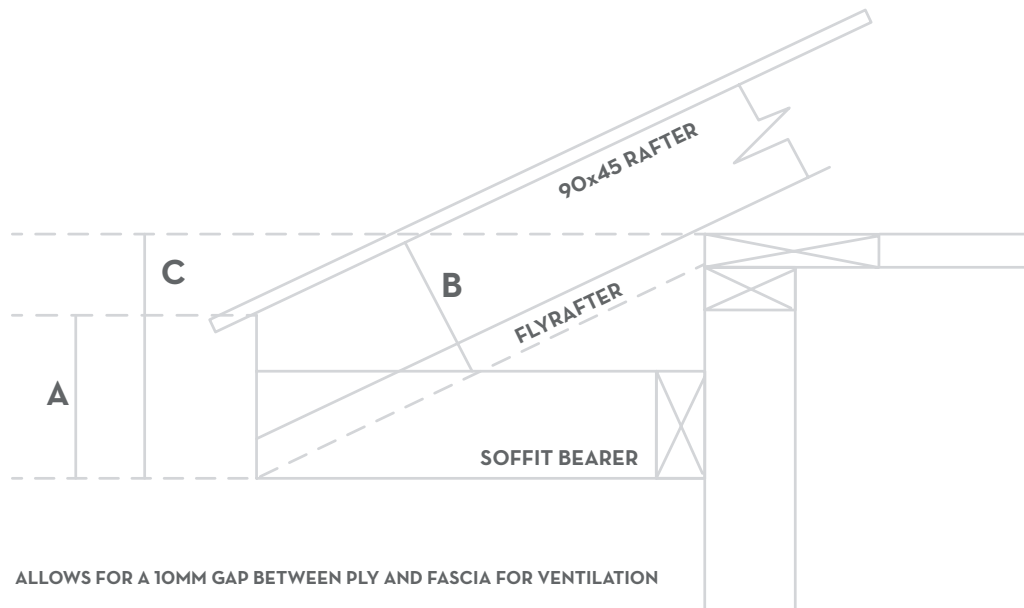
GABLE END DETAIL

NOTES

- BARGE TILES REQUIRED ON GABLES

PITCH	TOE CUT	TOP CHORD DROP (C)	SOFFIT DROP (B)		
			4500/H	6000/H	7500/H
20	96mm	90mm	164mm	218mm	273mm
22.5	97mm	90mm	186mm	249mm	311mm
25	99mm	90mm	210mm	280mm	350mm
27.5	101mm	90mm	234mm	312mm	390mm
30	104mm	90mm	260mm	346mm	433mm
32.5	107mm	90mm	287mm	382mm	478mm
35	110mm	90mm	315mm	420mm	525mm
37.5	113mm	90mm	345mm	460mm	575mm
40	117mm	90mm	378mm	503mm	629mm

185MM FASCIA ON GABLE & EAVE TO SUIT ASPHALT SHINGLE ROOF



PITCH	TOE CUT	TOP CHORD DROP	SOFFIT DROP		
			4500/H	6000/H	7500/H
10°	181mm	178mm	169mm	195mm	222mm
15°	184mm	177mm	211mm	252mm	292mm
20°	188mm	176mm	256mm	310mm	365mm
25°	192mm	173mm	303mm	372mm	442mm
30°	196mm	169mm	352mm	438mm	525mm
35°	201mm	163mm	406mm	512mm	616mm
40°	207mm	157mm	467mm	593mm	719mm
45°	214mm	150mm	537mm	687mm	837mm