

RESIDENTIAL WARRANTIES

Residential Warranties are provided by Taylor Fascia Ltd to the home owner and fully supported by Pacific Coilcoaters where the appropriate product is correctly specified for the environment, and installed in accordance with manufacturer's recommendations and best trade practice.

**WARRANTIES ARE SUBJECT TO SPECIAL CONDITIONS.
PLEASE REFER TO THE WARRANTY DOCUMENT FOR DETAILS.**

Standard Residential Roofing Warranty Terms:

ColorCote® ZR8™ pre-painted steel materials supplied by Taylor Fascia Ltd for residential buildings will perform in ISO environmental categories 1-3 as follows:

- Resistance to flaking, peeling and excessive fade
Rainwater roofing products 10 years
- Will not perforate as a result of corrosion
Rainwater roofing products 10 years

Provided:

- they are handled and installed in the correct environment and in accordance with good trade practice and the manufacturer's recommendations.
- they are maintained in accordance with the ColorCote® Minimum Maintenance Requirements

Contact Pacific Coilcoaters, manufacturers of ColorCote® pre-painted metal products, for coating options for more severe environments and full warranty terms.

Cnr Takanini School Road
and Spartan Road
P. O. Box 113, Takanini, Auckland
PHONE: 09 267 3030
FAX: 09 267 7709
EMAIL: sales@taylorfascia.co.nz
WEB: www.taylorfascia.co.nz

“CELEBRATING 37 YEARS IN BUSINESS”

MANUFACTURERS AND INSTALLERS OF INTERNAL/EXTERNAL GUTTER SYSTEMS

TAYLOR FASCIA
L I M I T E D

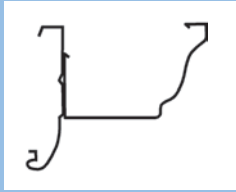


SET-OUT DETAILS

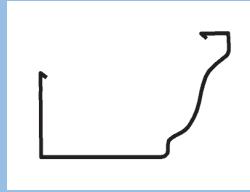
EXTERNAL FASCIA/GUTTER

Taylor external fascia/guttering is available in ColorCote® pre-painted steel.

This modern profile can be used with steel or timber fascia giving homeowners the 'best of both worlds' and works well in blending guttering to house.



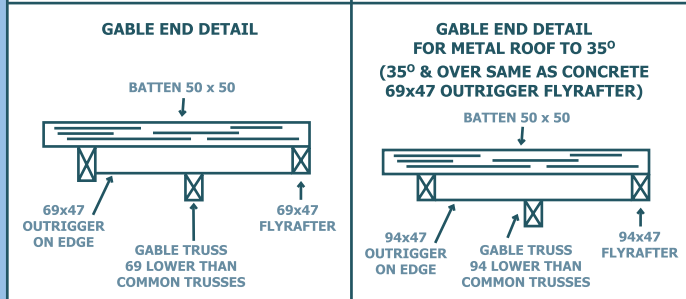
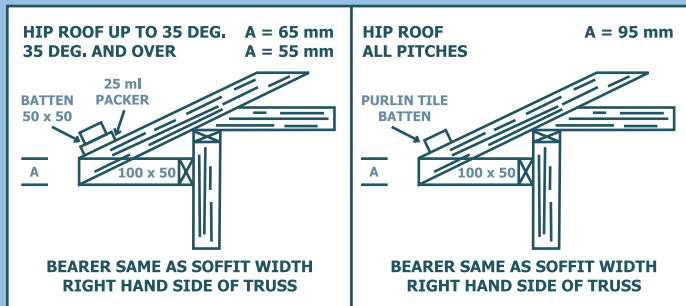
Taylor External Fascia/Gutter



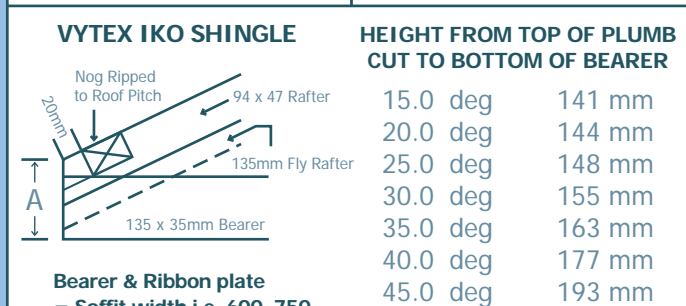
Taylor Classic Gutter

METAL TILE/
LONG RUN ROOF

CONCRETE TILE ROOF



A = HEIGHT FOR GABLE ROOF		A = HEIGHT FOR GABLE ROOF	
15.0 deg	70 mm	15.0 deg	95 mm
17.5 deg	72 mm	20.0 deg	100 mm
20.0 deg	74 mm	25.0 deg	105 mm
22.5 deg	76 mm	30.0 deg	110 mm
25.0 deg	78 mm	32.5 deg	114 mm
27.5 deg	80 mm	35.0 deg	86 mm
30.0 deg	82 mm	40.0 deg	93 mm
35.0 deg	85 mm	45.0 deg	100 mm
40.0 deg	90 mm		
45.0 deg	100 mm		

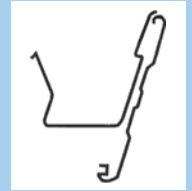


Sprockets to be 135 x 135mm to allow adequate nailing to rafter fixed to right hand side of rafter. Fly rafter to be 135mm wide.

INTERNAL FASCIA/GUTTER

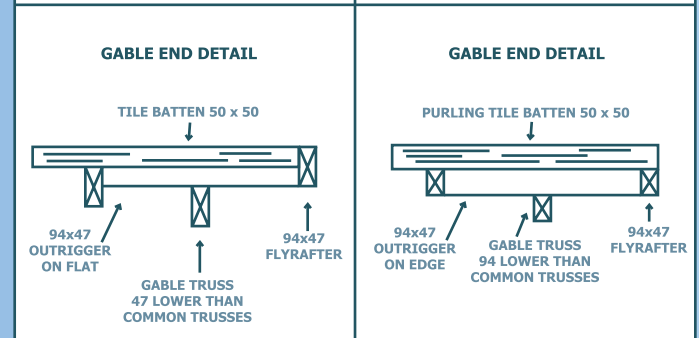
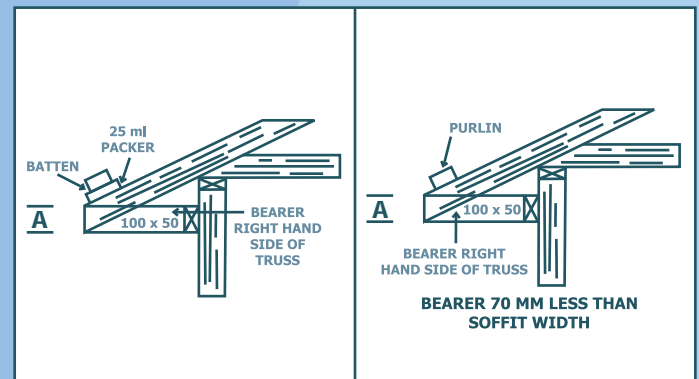
Taylor internal fascia guttering boasts smooth, bold lines and provides a highly efficient rainwater collection system. Manufactured from Zinalume® 0.55mm steel, this fascia is suitable for most new house installation using a 100x50mm rafter setout.

Available in the ColorCote® range of colours, it's unique built-in overflow ensures maximum protection against blocked downpipes. All brackets are also manufactured from Zinalume® steel and allow maximum fall on gutter runs.



Taylor Internal Fascia/Gutter

CONCRETE TILE ROOF



A = HEIGHT FOR HIP AND GABLE ROOF		A = HEIGHT FOR HIP AND GABLE ROOF	
15.0 deg	68 mm	12.5 deg	113 mm
17.5 deg	73 mm	15.0 deg	118 mm
20.0 deg	75 mm	17.5 deg	122 mm
22.5 deg	81 mm	20.0 deg	126 mm
25.0 deg	85 mm	22.5 deg	132 mm
27.5 deg	90 mm	25.0 deg	138 mm
30.0 deg	96 mm	27.5 deg	143 mm
35.0 deg	105 mm	30.0 deg	125 mm
40.0 deg	88 mm	35.0 deg	120 mm
45.0 deg	80 mm	40.0 deg	115 mm
		45.0 deg	112 mm

30 DEG AND OVER WILL HAVE KICKOUTS

SCAFFOLD NEEDED AROUND HOUSE 1.8 BELOW SOFFIT